

Distance-Velocity Sensor

Assembly Instructions

This device allows you to collect distance and velocity data of objects. Use this in conjunction with our DataCollector and Smart Track.

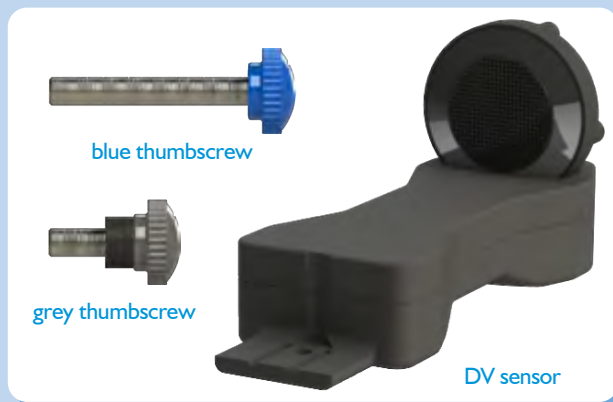
Parts Checklist

The following items are provided with Smart Track:

- Distance-Velocity Sensor
- Grey thumbscrew
- Blue thumbscrew (for future investigations)

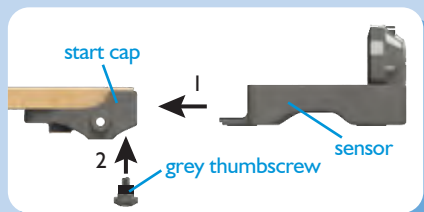
In addition, you will need these items:

- DataCollector
Power Supply and RJ cord (blue or red)
- Smart Track Kit
- Physics Stand, assembled

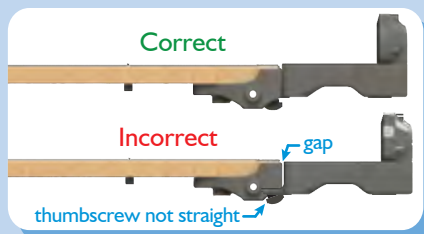


Attaching the Velocity Sensor to the Smart Track

1. Insert the sensor tab into the slot on the start cap (the end with the zero mark).
2. Twist the grey thumbscrew into place until the sensor is secure.

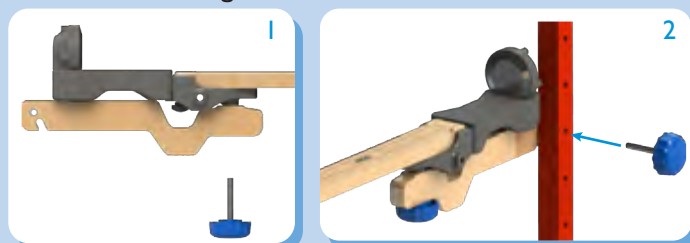


When fully engaged there will be no gap between the sensor and the start cap.



Attaching the Spur

The spur allows the DV Sensor to be positioned so it does not interfere with the signal from the sensor.



1: Attach the track to the spur using the blue knob.

2: Attach the spur with a blue knob onto the Physics Stand.

Attaching the Digital Cord



Use the RJ cord. Insert one end into either "Photogate" slot on the DataCollector. Place the other cord end in the sensor.

Specifications

- Range: 0 to 1 m
- Accuracy: 2 mm

Attaching the Target



1: Align the target with the back of the car. There is a hole on the car that will help with alignment.



2: Push down till you feel it click into place and it feels secure.

For technical assistance, please call 1.800.932.5227.